

# CEILING DOMES & LIGHTING COVES

## SPECIFICATIONS

### BENEFITS:

- ◆ Fiberglass.
- ◆ Class A fire rated.
- ◆ One piece construction.
- ◆ Easy installation.
- ◆ Extremely durable.
- ◆ Lightweight.

TYPICAL MECHANICAL PROPERTIES	ASTM TEST METHOD	CLEAR CASTING
Barcol Hardness	D-2583	47
Flexural Strength, psi	D-790	10,300
Tensile Strength, psi	D-638	6,200
Tensile Toughness, in-lb/in <sup>3</sup>	D-638	41

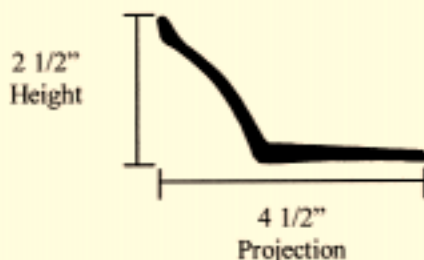
### DOMES SIZES\*

*CUSTOM SIZES AVAILABLE*

DOMESIZE	RISE	WEIGHT	INSIDE DIAMETER	INSIDE DEPTH	ROUGH OPENING DIAMETER	ROUGH OPENING DEPTH	RADIUS
3'	9 1/2"	10 lbs	35 3/4"	9 1/2"	36"	9 5/8"	21 3/4"
4'	8 3/4"	13 lbs	48 1/4"	8 3/4"	48 1/2"	8 7/8"	37 1/4"
5'	13 1/2"	20 lbs	59 7/8"	13 1/2"	60 1/8"	13 3/8"	40"
6'	18"	40 lbs	72"	18"	72 1/4"	18 1/8"	45"
7'	24"	55 lbs	84"	24"	84 1/4"	24 1/8"	48 3/8"

Tolerances +/- 1/8"

### COVE SIZE\*



\* Each dome and light cove is manufactured with a 1" fiberglass flange for installation.

## DOMES

(Domes are one piece construction and Class A fire rated fiberglass.)

<u>PART #</u>	<u>DESCRIPTION</u>	<u>DIAMETER</u>	<u>RISE</u>
D3695	3' Rimless Dome	3'	9 1/2"
D4895	4' Rimless Dome	4'	8 3/4"
D6014	5' Rimless Dome	5'	13 1/2"
D7218	6' Rimless Dome	6'	18"
D8424	7' Rimless Dome	7'	24"

## LIGHT COVES

(Light Coves are one piece construction and Class A fire rated fiberglass.)

<u>PART #</u>	<u>DESCRIPTION</u>	<u>PROJECTION</u>	<u>HEIGHT</u>
DC36	Light Cove for 3' Dome	3 3/4"	3"
DC48	Light Cove for 4' Dome	3 3/4"	3"
DC60	Light Cove for 5' Dome	3 3/4"	3"
DC72	Light Cove for 6' Dome	3 3/4"	3"
DC84	Light Cove for 7' Dome	3 3/4"	3"

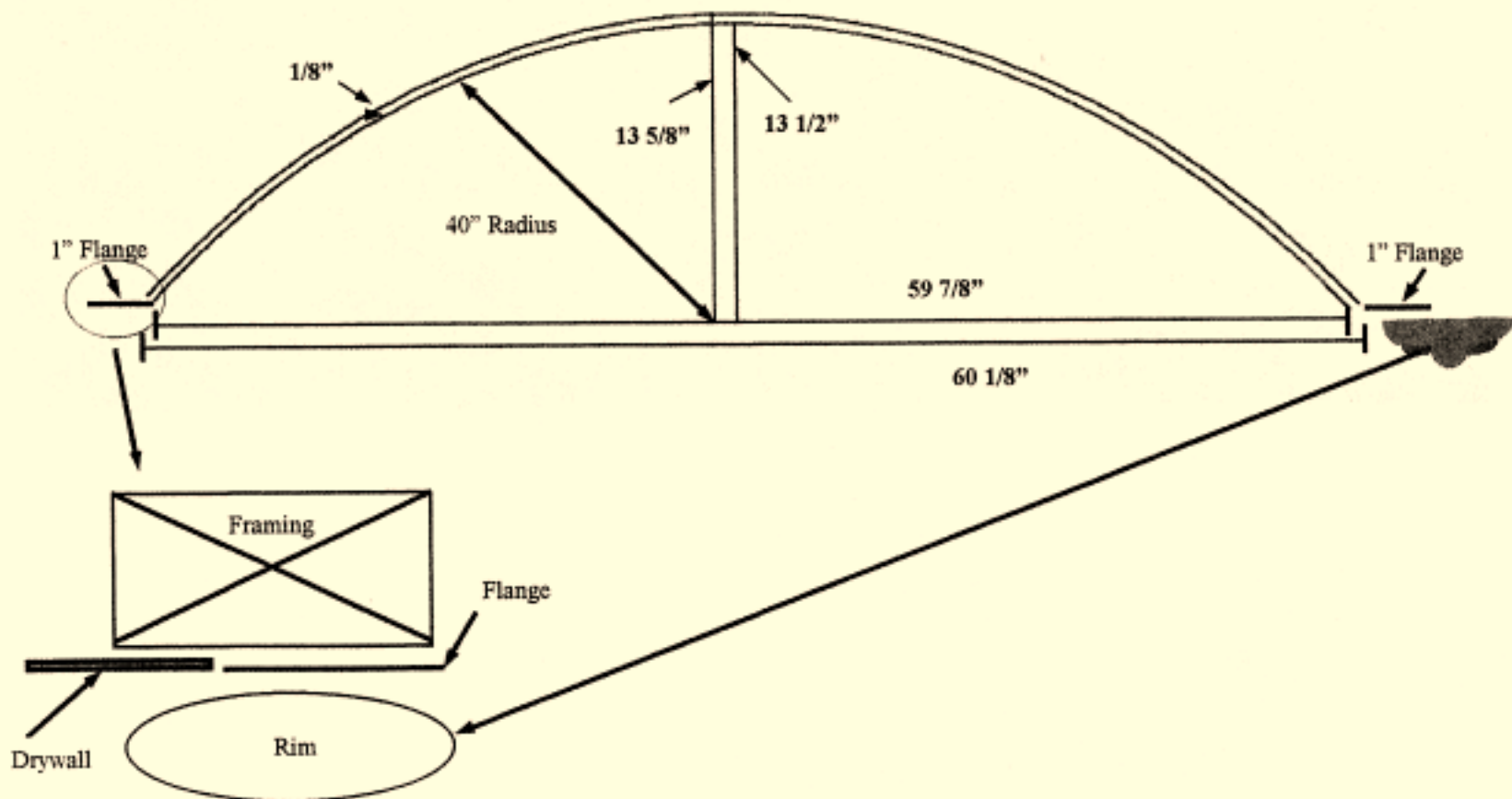
## RIMS

(Each rim comes in 2 pieces and is manufactured in a polyester resin)

<u>PART #</u>	<u>DESCRIPTION</u>	<u>WIDTH</u>	<u>PROJECTION</u>
R 136	Cassidy	2 1/2"	7/8"
R 839	Egg & Dart	2 1/4"	1/2"
R 881	Panel	2 1/4"	1/2"
R 903	Cloverdale	2 3/8"	3/8"
R 909	Parallex	2"	1/4"
R 910	Lattice	2 3/8"	1/2"
R 911	Nicole	2 1/4"	1/2"

*D6014 (5' FIBERGLASS DOME) WITH R136 RIM*

Nominal Wall Thickness of Dome = 1/8"



# EXAMPLES OF OUR CUSTOM DOMES

click on a picture to view larger image



R&R Designers World 37 Harrison Ave. Brooklyn, NY 11211  
TEL: 718-963-3890 800-963-3890 FAX: 1-718-384-4803

# DOME RIMS

R 136



Width 2 1/2" / Projection 7/8" / Repeat Linear

R 881



Width 2 1/4" / Projection 1/2" / Repeat 1 3/4"

R 839



Width 2 1/4" / Projection 1/2" / Repeat 1 1/2"

R 903



Width 2 3/8" / Projection 3/8" / Repeat 1 5/8"

R 858



Width 2 1/4" / Projection 1/4" / Repeat 3"

R 909



Width 2" / Projection 1/4" / Repeat Linear

R 877



Width 3 7/8" / Projection 1/2" / Repeat 1 3/4"

R 910



Width 2 3/8" / Projection 1/2" / Repeat 1"

R 878



Width 2" / Projection 1/4" / Repeat 1 1/2"

R 911



Width 2 1/4" / Projection 1/2" / Repeat 2 1/2"